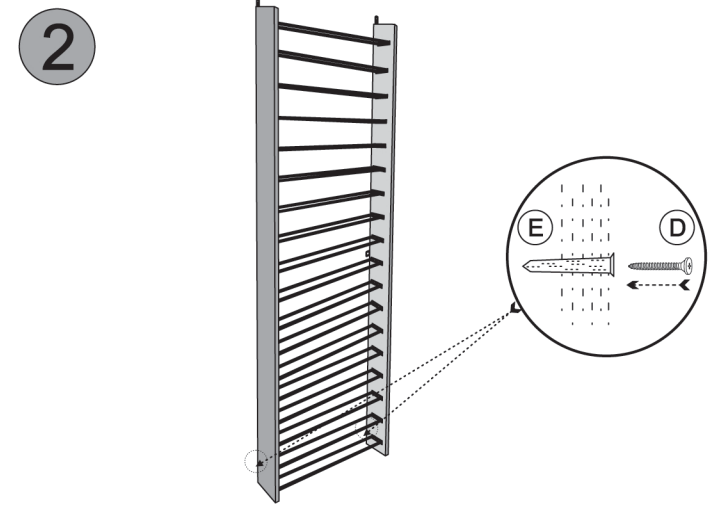
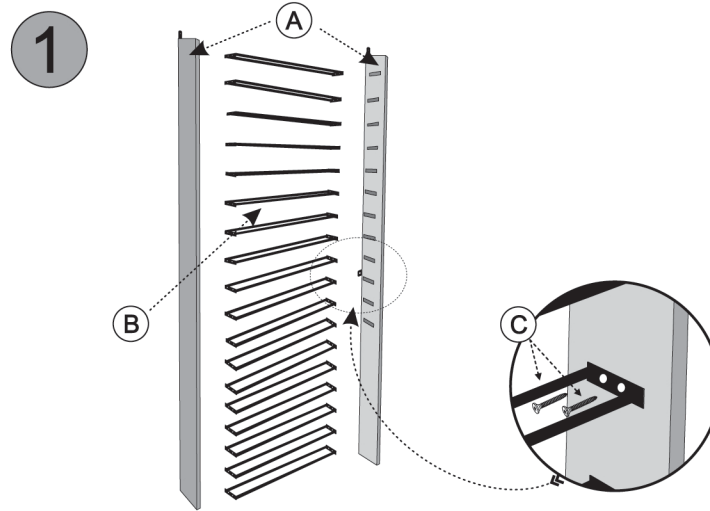
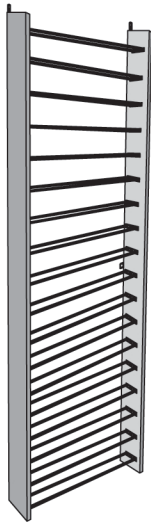
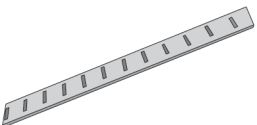




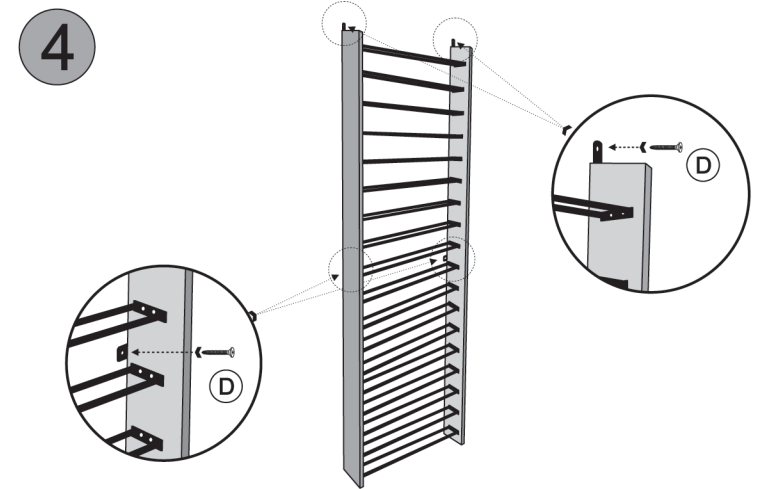
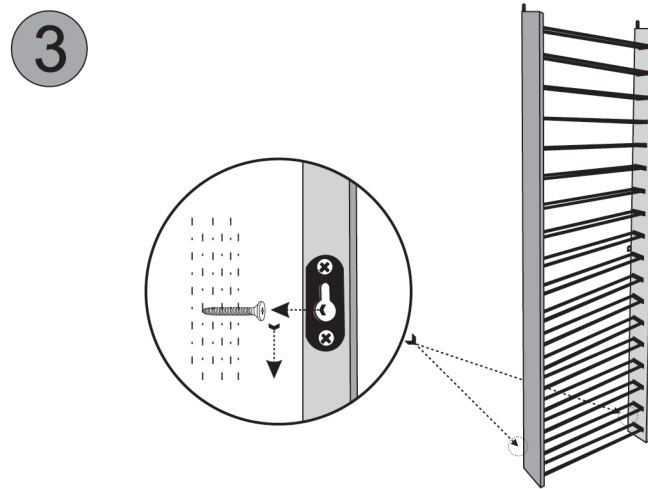


VERTICAL HANGING IRON AND WOOD 3359902



- A**  x 02 pcs
- B**  x 18 pcs
- C**  x 72 pcs
- D**  x 06 pcs
- E**  x 06 pcs



1. Attach racks (B) into drillholes of side board. (A)
2. Drilling holes for 2 below Patches. Attach plastic dowel (E) into the wall before screwing (D) into (E).
Do not screw tight, keep the room about 10mm of (D) to attach the Patches in wall.
3. Attach below Patches of Wall Hanging Rack into wall.
4. After attaching the Hanging Rack into wall. Then drilling upper holes, put the Hanging Rack down. Finally, attached it into wall

↑↑ **Two or more people are required for assembling**